

CMIP8942W-28SDA-WIFI 4 MP Smart Fixed Cube Network Camera



Empowered by deep learning algorithms, our technology brings human and vehicle targets classification alarms to front- and back-end devices. The system focuses on human and vehicle targets, vastly improving alarm efficiency and effectiveness.

- High quality imaging with 4 MP resolution
- Clear imaging against strong backlight due to 120 dB WDR technology
- Efficient H.265+ compression technology
- Focus on human and vehicle classification based on deep learning
- Provide real-time security via built-in two-way audio
- Detect human body through passive infrared which is sensitive to body temperature (PIR)

▪ Specification

Camera	
Image Sensor	1/3" Progressive Scan CMOS
Min. Illumination	2.8 mm and 4 mm: color: 0.005 Lux @ (F1.6, AGC ON), B/W: 0 Lux with IR
Max. Resolution	2688 × 1520
Shutter Speed	1/3 s to 1/100,000 s
Day & Night	IR cut filter
Angle Adjustment	Pan: 0° to 360°, tilt: 0° to 90°, rotate: 0° to 360°
Lens	
Focal Length & FOV	2.8 mm, horizontal FOV 104.3°, vertical FOV 55.9°, diagonal FOV 123.8° 4 mm, horizontal FOV 83.7°, vertical FOV 43°, diagonal FOV 100.3°
Aperture	2.8 mm: F1.6 4 mm: F1.6
Lens Mount	M12
DORI	
DORI	2.8 mm: D: 56.0 m, O: 22.2 m, R: 11.2 m, I: 5.6 m 4 mm: D: 79.4 m, O: 31.5 m, R: 15.9 m, I: 7.9 m
Illuminator	
IR Range	Up to 33ft(10 m)
Wavelength	850 nm
Smart Supplement Light	Yes
Video	
Main Stream	50 Hz: 25 fps (2688 × 1520, 1920 × 1080, 1280 × 720) 60 Hz: 30 fps (2688 × 1520, 1920 × 1080, 1280 × 720)
Sub Stream	50 Hz: 25 fps (640 × 480, 640 × 360) 60 Hz: 30 fps (640 × 480, 640 × 360)
Third Stream	50 Hz: 10 fps (1920 × 1080, 1280 × 720, 640 × 480, 640 × 360) 60 Hz: 10 fps (1920 × 1080, 1280 × 720, 640 × 480, 640 × 360)
Video Compression	Main stream: H.265/H.264/H.264+/H.265+ Sub-stream: H.265/H.264/MJPEG Third stream: H.265/H.264
Video Bit Rate	32 Kbps to 8 Mbps
H.264 Type	Baseline Profile/Main Profile/High Profile
H.265 Type	Main Profile
Bit Rate Control	CBR/VBR
Scalable Video Coding (SVC)	Yes
Region of Interest (ROI)	1 fixed region for main stream and sub-stream
Audio	
Environment Noise Filtering	Yes
Audio Sampling Rate	8 kHz/16 kHz/32 kHz/44.1 kHz/48 kHz
Audio Compression	G.711ulaw/G.711alaw/G.722.1/G.726/MP2L2/PCM/MP3/AAC
Audio Bit Rate	64 Kbps (G.711ulaw/G.711alaw)/16 Kbps (G.722.1)/16 Kbps (G.726)/16 Kbps to 64 Kbps (AAC)/32 Kbps to 192 Kbps (MP2L2)/8 Kbps to 320 Kbps (MP3)
Network	
Simultaneous Live View	Up to 6 channels
API	Open Network Video Interface (Profile S, Profile G, Profile T), ISAPI, SDK

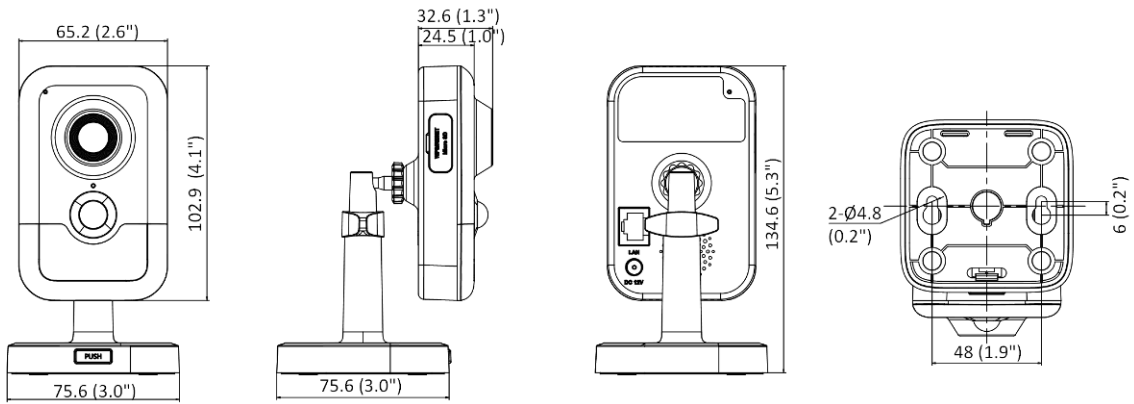
Protocols	TCP/IP, ICMP, HTTP, HTTPS, FTP, DHCP, DNS, DDNS, RTP, RTSP, NTP, UPnP, SMTP, IGMP, QoS, IPv6, UDP, Bonjour, SSL/TLS, PPPoE, SNMP
User/Host	Up to 32 users. 3 user levels: administrator, operator and user
Security	Password protection, complicated password, HTTPS encryption, IP address filter, Security Audit Log, basic and digest authentication for HTTP/HTTPS, TLS 1.1/1.2, WSSE and digest authentication for Open Network Video Interface
Network Storage	NAS (NFS, SMB/CIFS), auto network replenishment (ANR)
Web Browser	Plug-in required live view: IE 10, IE 11 Plug-in free live view : Chrome 57.0+, Firefox 52.0+ Local service: Chrome 57.0+, Firefox 52.0+
Wi-Fi	
Encryption Mode	64/128-bit WEP, WPA-EAP/WPA2-EAP, WPA-PSK/WPA2-PSK
Wi-Fi Protocol	IEEE802.11b, 802.11g, 802.11n
Frequency Range	2.412 GHz - 2.472 GHz
Channel Bandwidth	20/40 MHz
Modulation	802.11b: CCK, QPSK, BPSK 802.11g/n: OFDM
Wireless Range	Up to 164ft(50 m) (The performance varies based on actual environment)
Transfer Rate	11 b/g: 54 Mbps, 11 n: up to 150 Mbps
Image	
Wide Dynamic Range (WDR)	120 dB
Day/Night Switch	Day, Night, Auto, Schedule
Image Enhancement	BLC, HLC, 3D DNR
Image Parameters Switch	Yes
Image Settings	Rotate, mirror, privacy mask, saturation, brightness, contrast, sharpness, gain, white balance adjustable by client software or web browser
PIR	
PIR Angle	Horizontal: 90°, vertical: 80°
PIR Range	Up to 26ft(8 m)
Interface	
Built-in Microphone	Yes
Built-in Speaker	Power: 1 W. Max. sound pressure level: 10 cm: 91 dB.
On-board Storage	Built-in memory card slot, support microSD/SDHC/SDXC card, up to 256 GB
Hardware Reset	Yes
Communication Interface	1 RJ45 10 M/100 M self-adaptive Ethernet port
Event	
Basic Event	Motion detection, video tampering alarm, exception
Linkage	Upload to FTP/memory card/NAS, notify surveillance center, trigger recording, trigger capture, send email, audible warning
Face Detection	Yes
Deep Learning Function	
Perimeter Protection	Line crossing, intrusion Support alarm triggering by specified target types (human and vehicle)
General	
Power	12 VDC ± 25%, 0.61 A, max. 7.3 W, Ø5.5 mm coaxial power plug PoE: (802.3af, Class 3, 36 V to 57 V), 0.23 A to 0.15 A, max. 8.3 W

Web Client Language	33 languages English, Russian, Estonian, Bulgarian, Hungarian, Greek, German, Italian, Czech, Slovak, French, Polish, Dutch, Portuguese, Spanish, Romanian, Danish, Swedish, Norwegian, Finnish, Croatian, Slovenian, Serbian, Turkish, Korean, Traditional Chinese, Thai, Vietnamese, Japanese, Latvian, Lithuanian, Portuguese (Brazil), Ukrainian
General Function	Anti-flicker, heartbeat, password reset via email, pixelouther
Storage Conditions	-10 °C to 40 °C (14 °F to 104 °F). Humidity 95% or less (non-condensing)
Startup and Operating Conditions	-10 °C to 40 °C (14 °F to 104 °F). Humidity 95% or less (non-condensing)
Camera Material	Plastic
Camera Dimension	2.8 mm and 4 mm: 102.9 mm × 65.2 mm × 32.6 mm (4.1" × 2.6" × 1.3")
Package Dimension	150 mm × 125 mm × 99 mm (5.9" × 4.9" × 3.9")
Camera Weight	Approx. 120 g (0.3 lb.)
With Package Weight	Approx. 430 g (0.9 lb.)
Approval	
EMC	FCC SDoC (47 CFR Part 15, Subpart B); CE-EMC (EN 55032: 2015, EN 61000-3-2:2019, EN 61000-3-3:2013+A1:2019, EN 50130-4: 2011 +A1: 2014); KC (KN 32: 2015, KN 35: 2015)
Safety	UL (UL 62368-1); CB (IEC 62368-1:2014+A11); CE-LVD (EN 62368-1:2014/A11:2017)
Environment	CE-RoHS (2011/65/EU) WEEE (2012/19/EU) Reach (Regulation (EC) No 1907/2006)



Dimension

2.8 and 4 mm Model



Unit: mm (inch)